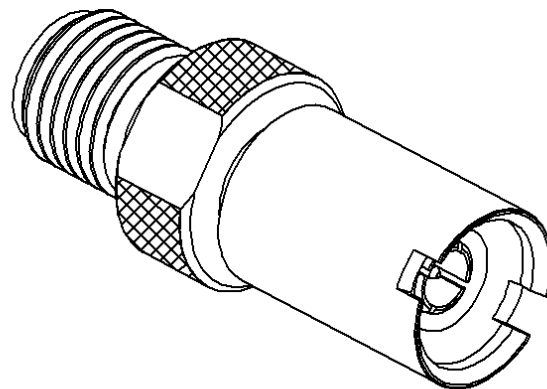
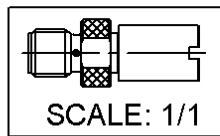
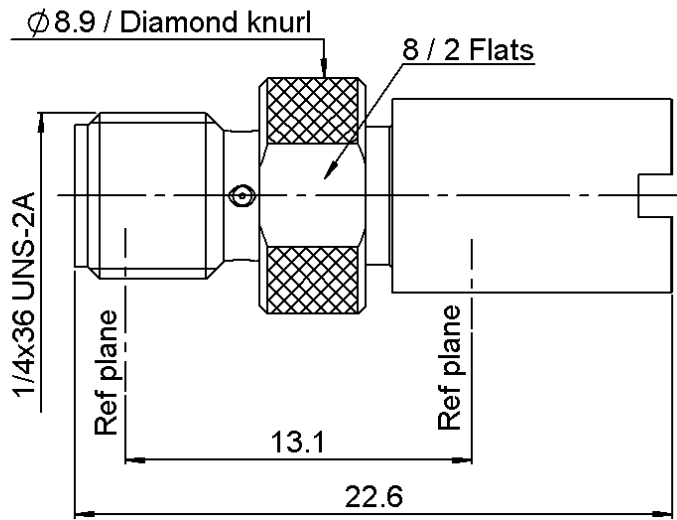


SMA FEMALE - DIN 1.0-2.3 MALE STRAIGHT ADAPTER

R191.368.020

Série : ADAPT



All dimensions are in mm.



COMPONENTS	MATERIALS	PLATING (μm)
BODY	BRASS	GOLD 0.5 OVER NICKEL 2
CENTER CONTACT	BERYLLIUM COPPER	GOLD 1.3 OVER NICKEL 2
OUTER CONTACT	BERYLLIUM COPPER	GOLD 0.5 OVER NICKEL 2
INSULATOR	PTFE	
GASKET	-	
OTHERS PARTS	BRASS	GOLD 0.2 OVER NICKEL 2
-	-	-
-	-	-

Issue : 0641 A

In the effort to improve our products, we reserve the rights to make changes judged to be necessary.



SMA FEMALE - DIN 1.0-2.3 MALE STRAIGHT ADAPTER

R191.368.020

Série : ADAPT

PACKAGING

SPECIFICATION

Standard	Unit	Other
	'W' option	Contact us

ELECTRICAL CHARACTERISTICS

Impedance		50 Ω
Frequency		0-4 GHz
VSWR	1.15 +	0,0000 x F(GHz) Maxi
Insertion loss		0.07 √F(GHz) dB Maxi
RF leakage	- (90 - F(GHz)) dB Maxi
Voltage rating		335 Veff Maxi
Dielectric withstanding voltage		750 Veff mini
Insulation resistance		1000 MΩ mini

ENVIRONMENTAL

Operating	-55/+155 °C
Hermetic seal	NA Atm.cm3/s
Panel leakage	NA

MECHANICAL CHARACTERISTICS

Center contact retention		
Axial force – Mating end		27 N mini
Axial force – Opposite end		27 N mini
Torque		2.8 N.cm mini

Recommended torque

Mating	SMA	0 N.cm
	V1.0-	0 N.cm
		0 N.cm
Panel nut	NA	NA N.cm

Mating life		100 Cycles mini
Weight		5,4200 g

OTHER CHARACTERISTICS

Issue : 0641 A

In the effort to improve our products, we reserve the rights to make changes judged to be necessary.

